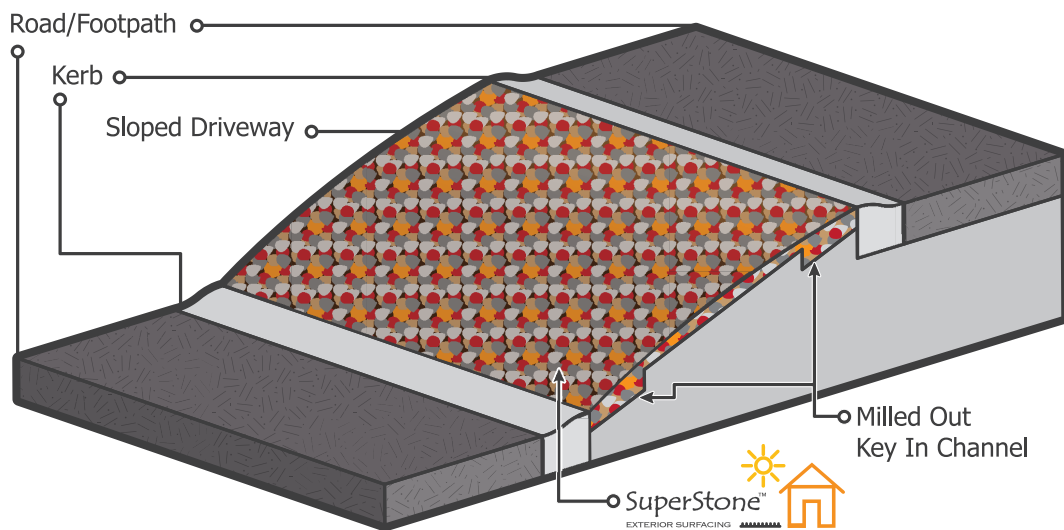
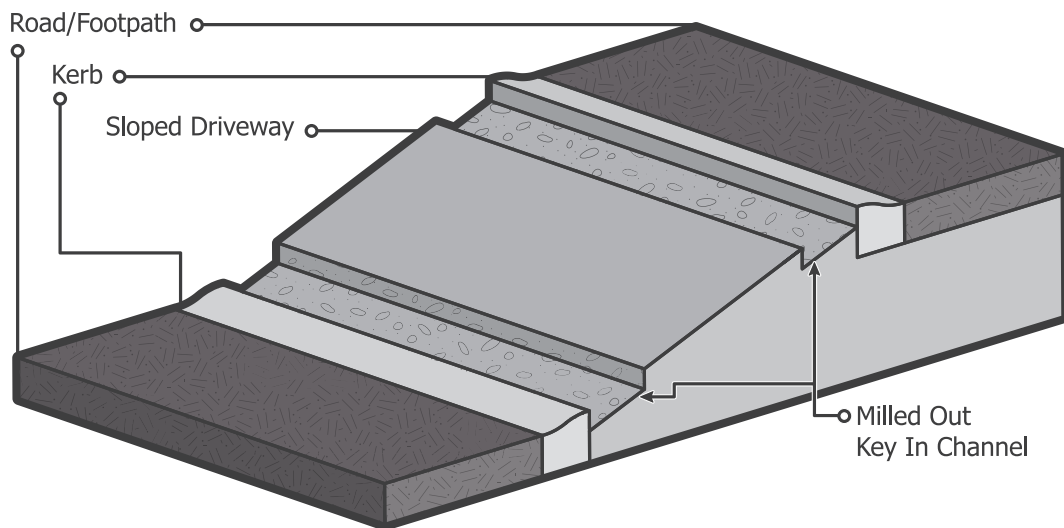
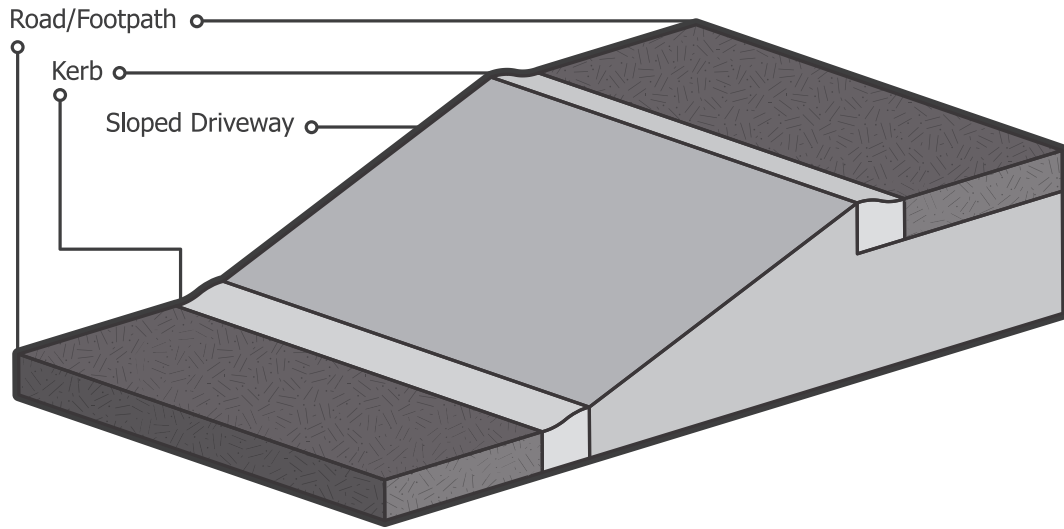


Rockpave

Rockpave Surface Key-in Channels



The specification detailed and illustrated above is a recommended guide only and is based on best normal practice for flexible surfacing overlays. It does not absolve the specifier from designing a construction suitable for the expected traffic and ground conditioning pertaining on a given site. The end user will require to assess whether the substrate or the wearing course are suitable for use in the intended purpose.



79-81 Intrepid St P: +61 3 9769 4077
Berwick Victoria 3806 F: +61 3 9707 0088
www.mpspaving.com.au info@mpspaving.com.au

Rockpave Key In Channels_v2.1 revised Jan 2012